

## **▲WARNING**

**FOR YOUR SAFETY**—This product must be installed and serviced by a contractor who is licensed and qualified in pool equipment by the jurisdiction in which the product will be installed where such state or local requirements exist. In the event no such state or local requirement exists, the installer or maintainer must be a professional with sufficient experience in pool equipment installation and maintenance so that all of the instructions in this manual can be followed exactly. Before installing this product, read and follow all warning notices and instructions that accompany this product. Failure to follow warning notices and instructions may result in property damage, personal injury, or loss of life. Improper installation and/or operation will void the warranty.

The new Vanishing Lid bracket is a cost-effective, adjustable stainless steel bracket. Extensions allow the bracket to adjust from 11.5" to 23.5" accommodating lids up to 2' wide. The bracket includes three types of attachments—anti-skid tape, adhesive plates, or lid clips—which provide a variety of options for attaching Vanishing Lids.

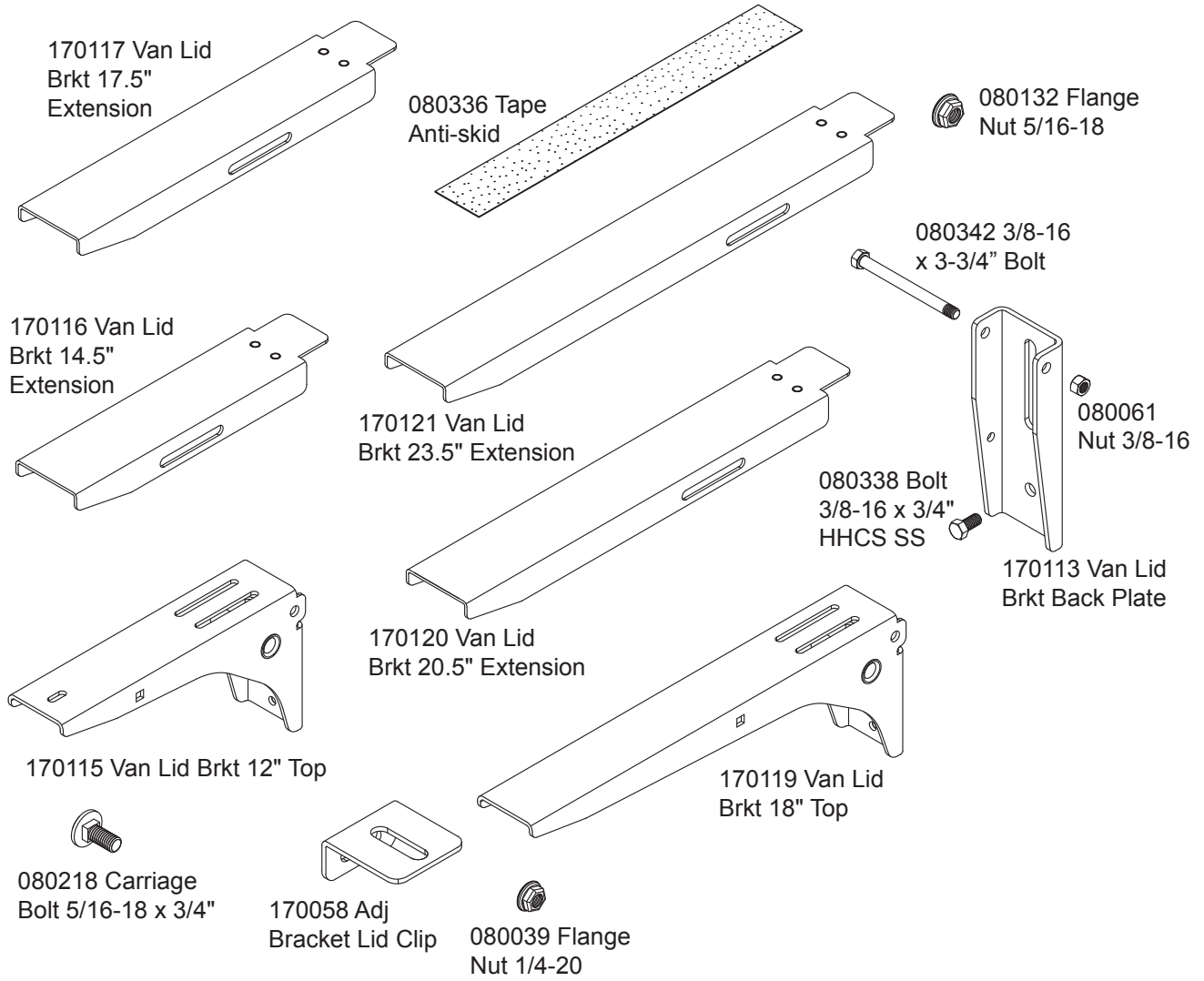
## **Table of Contents**

<b>Tools Required.....</b>	<b>1</b>
<b>Parts List .....</b>	<b>2</b>
<b>Pre-Installation Construction Requirements .....</b>	<b>3</b>
<b>Bracket Layout.....</b>	<b>3</b>
<b>Anchor Installation .....</b>	<b>4</b>
<b>Bracket Assembly .....</b>	<b>5</b>
<b>Pool Cover Installation.....</b>	<b>6</b>
<b>Lid Installation .....</b>	<b>7</b>
Brackets with Skid Grip .....	7
Brackets with Lid Clips .....	8
Brackets with Optional Adhesive Plates .....	9
<b>Lid End Bracket Mount Installation .....</b>	<b>10</b>

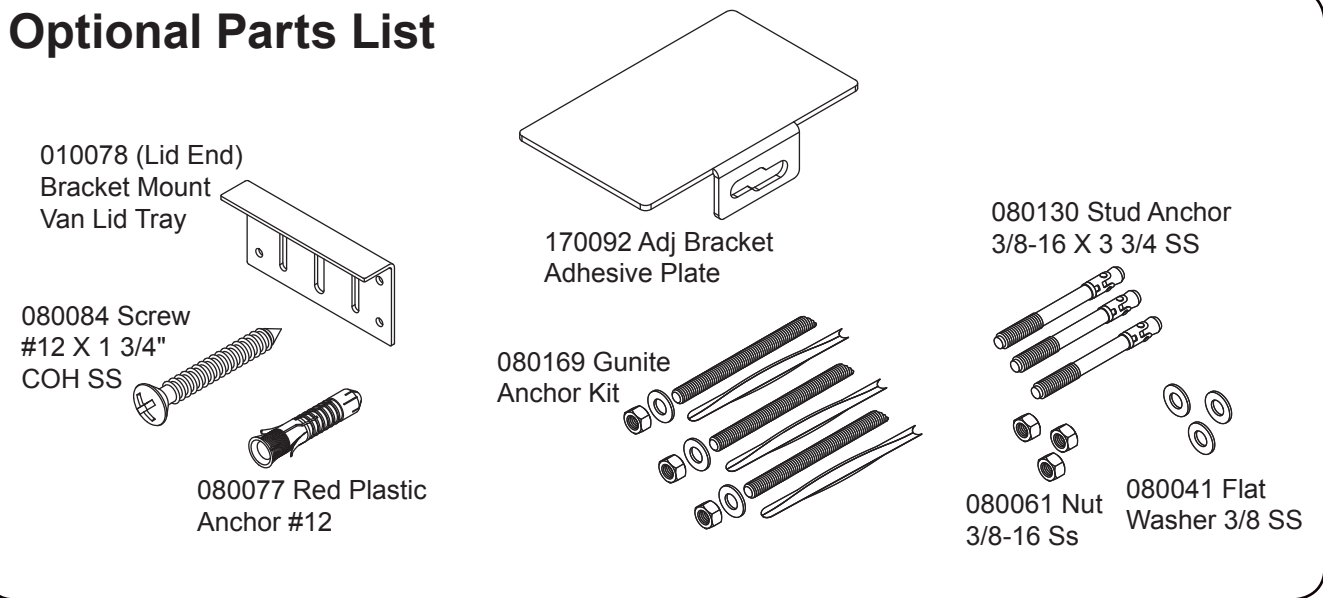
## **Tools Required**

- 1/2" wrench or socket
- 9/16" wrench or socket
- Hammer drill
- 1/4" masonry drill bit
- 7/16" masonry drill bit
- Tape measure
- Chalk line
- Hammer
- Level
- Felt tip marker

# Parts List



## Optional Parts List



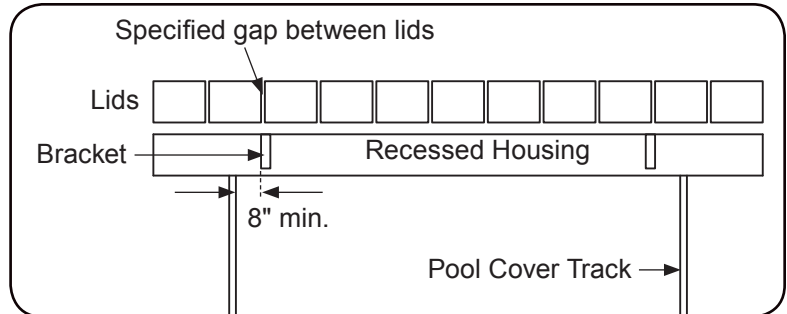
# Pre-Installation Construction Requirements

- Mounting surface for brackets (back of recessed housing) must be concrete/gunite 6" thick minimum, 4,000 PSI.
- Decking must be complete.
- Distance from the bottom of the cantilevered deck to the top of the beam wall must be 2" minimum.
- Material for the Vanishing Lid™ must be set completely.
- Automatic pool cover track must be installed.
- Automatic pool cover mechanism should not be installed yet.

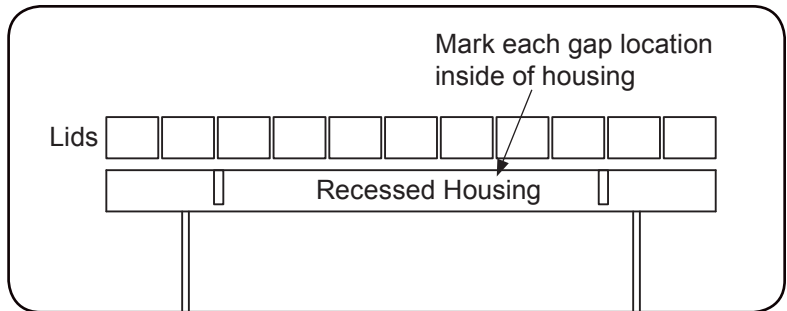
## Bracket Layout

**1** Double-check that the lid length matches the recessed housing width.

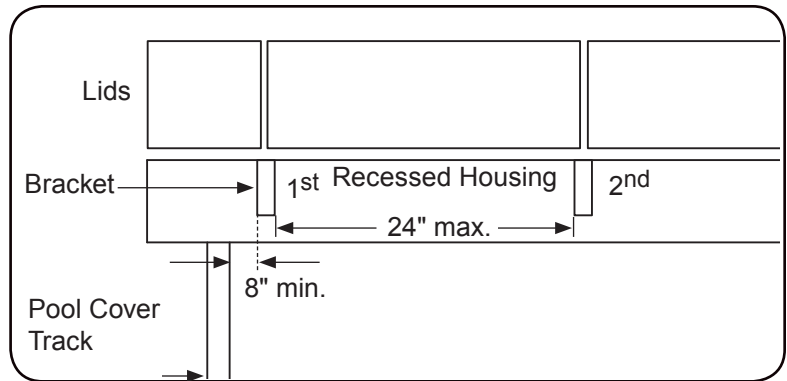
Lay the lids in order behind the recessed housing and space the lids so that the gap that is specified on your order form (**1/8" minimum**) is between the lids.



**2** Mark the inside of the housing wall at each lid gap.

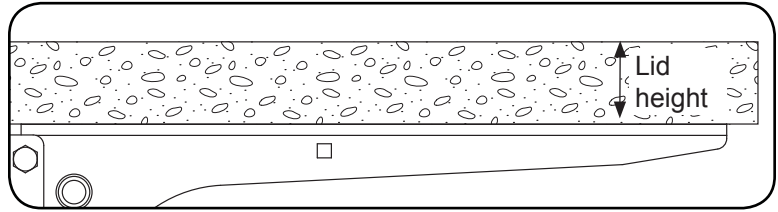


**3** Set one bracket at every gap between the lids. **Make sure that 24" is the maximum space between each bracket.**

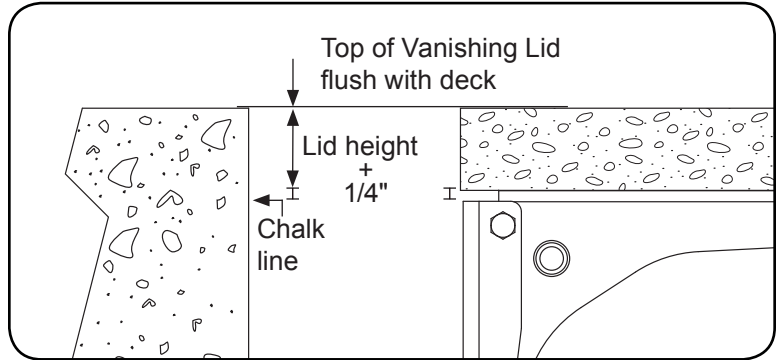


# Anchor Installation

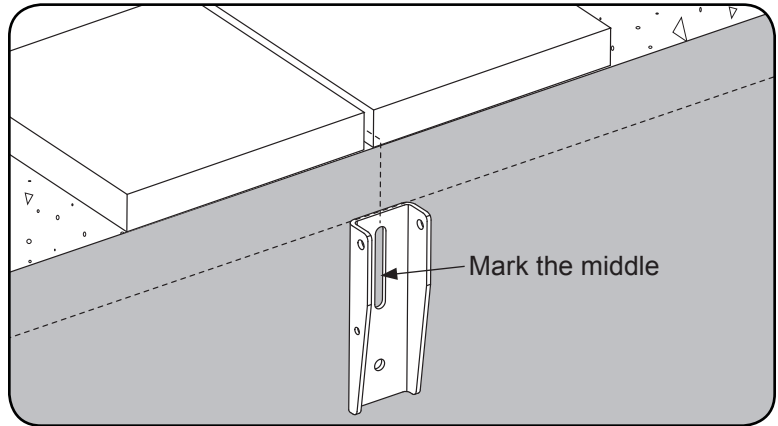
**1** Measure the thickness of the lid (stone, concrete, tray, etc.).



**2** Measure the lid height + 1/4" from the top of the deck down into the recessed housing. Mark this measurement on each end. Then, chalk a line across the length of the recessed housing at this depth.

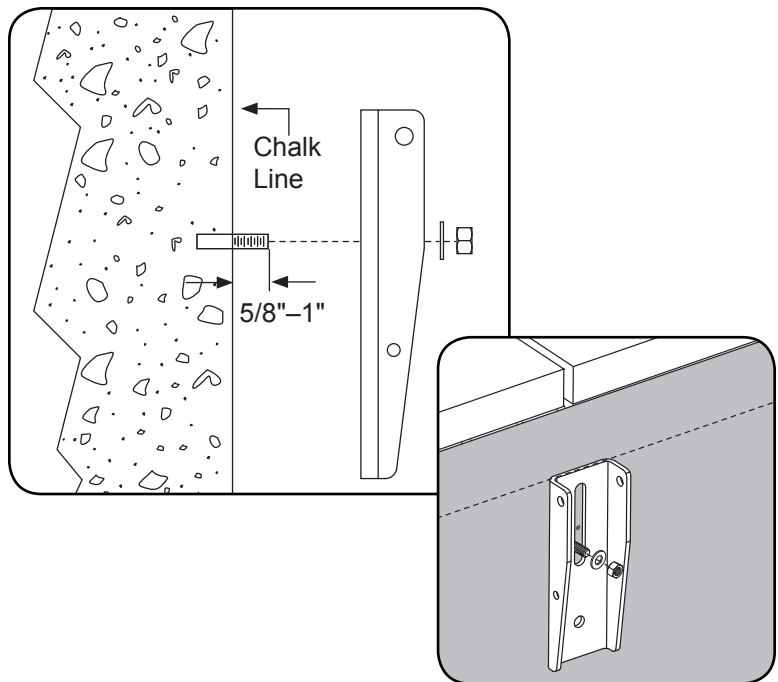


**3** Center a bracket back plate on the lid gap. Make sure that the top of the plate is even with the chalk line. Level the plate vertically. Mark the middle of the slotted mounting hole.



**4** Drill and set an anchor about 1/2" below the middle of the bracket back plate. The anchors must protrude at least 5/8" but less than 1".

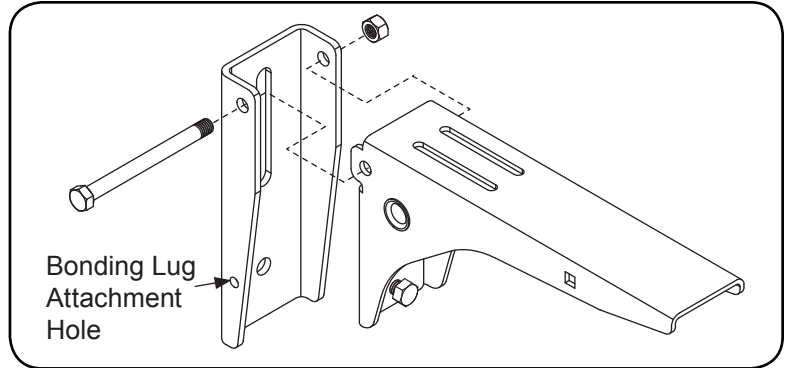
**Note:** Cover-Pools offers optional gunite anchors and stainless steel stud anchors (see pg. 2 for part numbers).



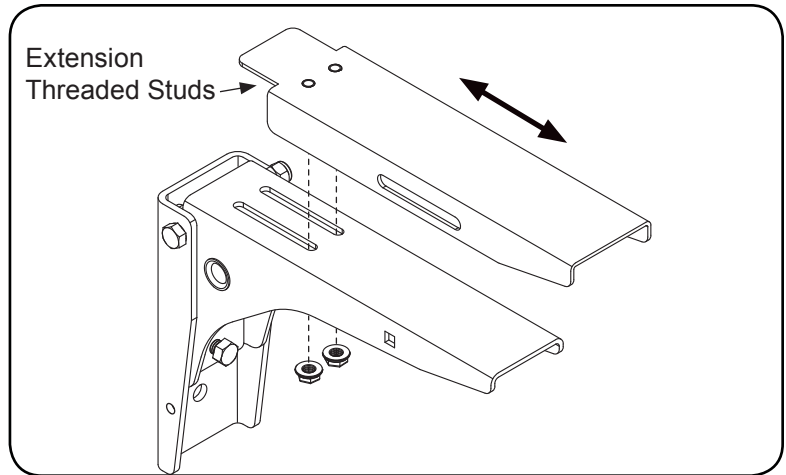
**5** Attach the bracket back plate to the recessed housing wall with a 3/8" washer and a 3/8-16" nut.

# Bracket Assembly

- 1 Attach the bracket top to the bracket back plate with a 3/8-16 x 3-3/4" bolt and a 3/8-16 nut.

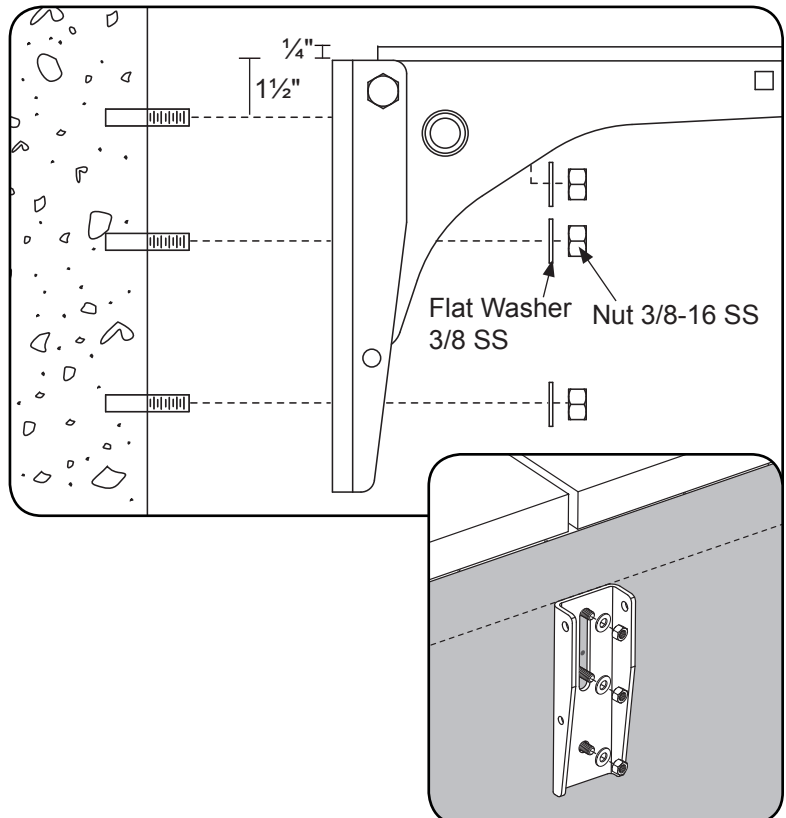


- 2 If the bracket uses an extension, set the extension threaded studs into the slots in the bracket top. Adjust the extension to the desired length. Then, attach the extension with two 1/4-20 flange nuts.



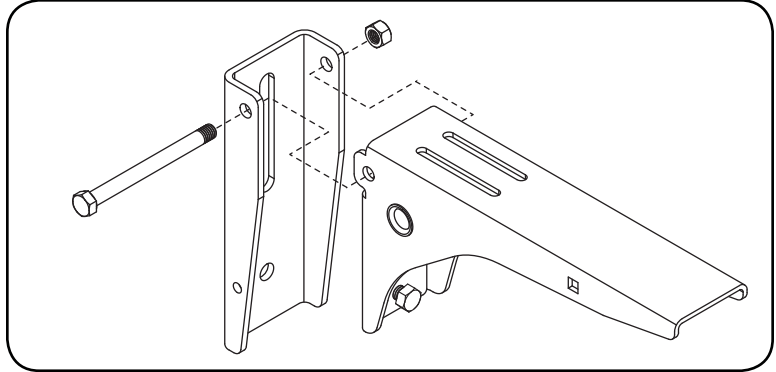
- 3 Adjust the bracket back plate up or down as needed. Make sure the plate is level. Mark the remaining two mounting holes. Make sure that the top mounting hole is as close to the top of the bracket as possible.

Install the remaining anchors. Then, attach the plate with three 3/8" washers and three 3/8-16 nuts. **Tip:** Remove the bracket top to facilitate drilling.

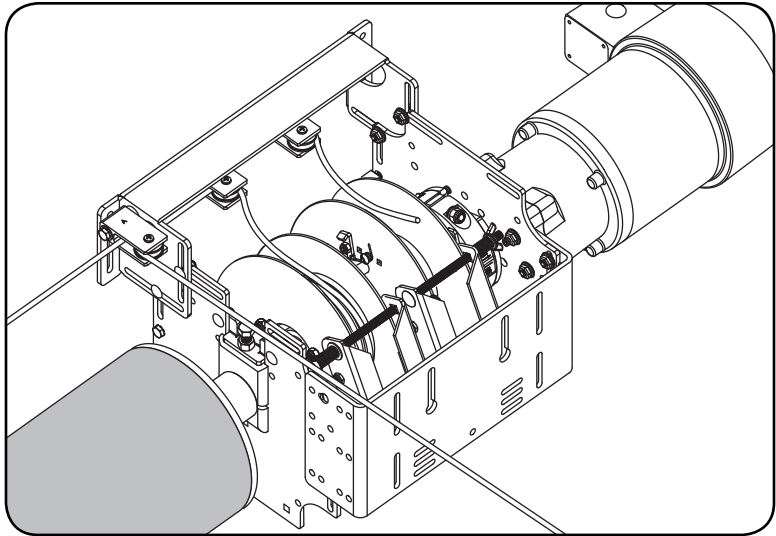


# Pool Cover Installation

- 1 Remove the bracket tops and install the pool cover and mechanism before proceeding (see 600981 Installation Instructions Mechanism and Fabric).

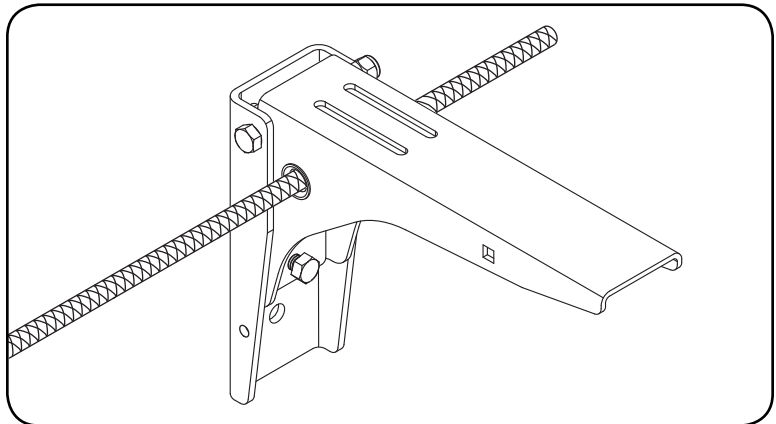


- 2 With the pool cover rolled onto the tube, detach the opposite end return rope from the rope reel.



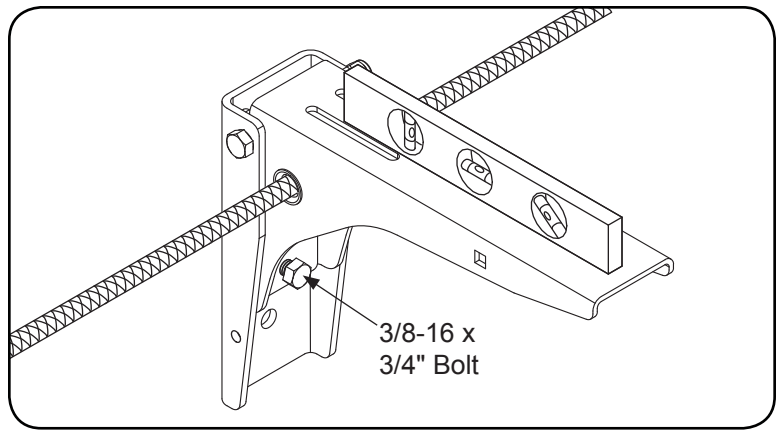
- 3 Reattach the bracket tops to the bracket backs with the 3/8-16 x 3-3/4" bolt and 3/8-16 nylock nut. Then, thread the opposite-end return rope through the bracket rope tube to protect the rope from abrasion and sagging. Reattach the rope to the rope reel and run the cover across the pool.

**Caution: Do not roll up the cover with the bracket tops exposed. Always make sure that the lids are in place before you roll up the cover; otherwise, the brackets may catch and tear the cover.**



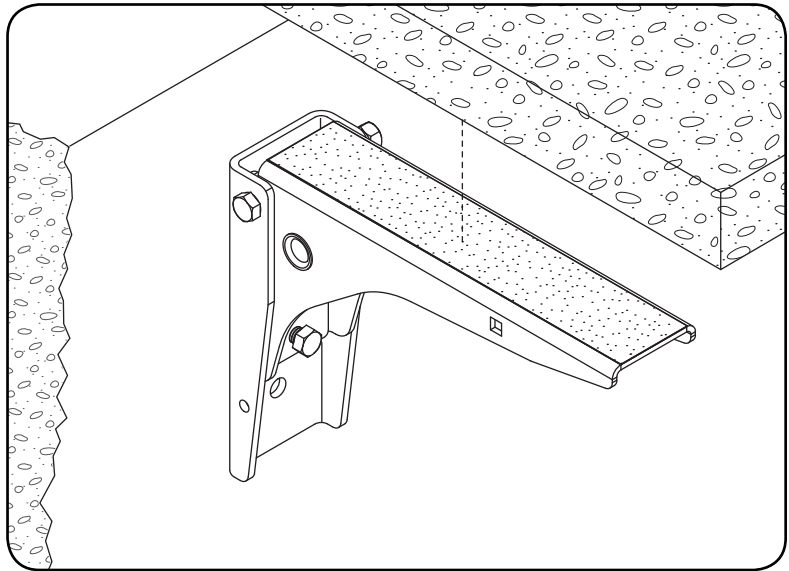
- 4** Level the bracket top by tightening or loosening the 3/16 x 3/4" bolt. If further adjustment is needed, reverse the bolt so the head of the bolt is against the bracket back.

**Tip:** Multiple bracket tops can be adjusted to the same level by setting the two outside brackets to the desired height. Then, stretch a line across the front edge of the brackets. Adjust each bracket front to the line and lock in place.

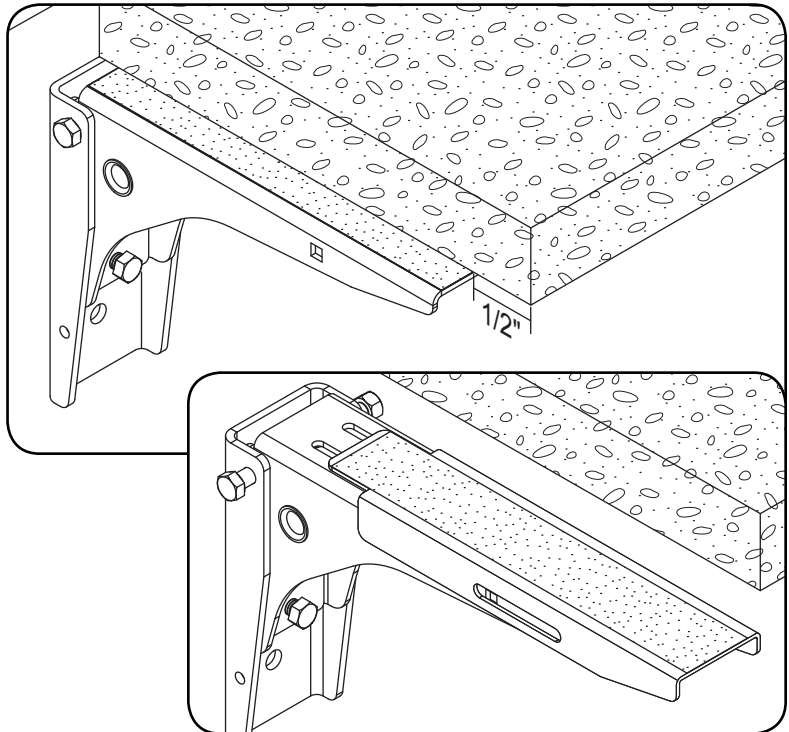


## Lid Installation Brackets with Skid Grip

- 1** Set the Vanishing Lids™ in place on top of the Vanishing Lid brackets.



- 2** Adjust the lids into position. The edge of the Vanishing Lid should be centered on the top of the bracket. **Do not cantilever the lids more than 1/2" on brackets with skid grip; use extensions if the lid extends more than 1/2".**

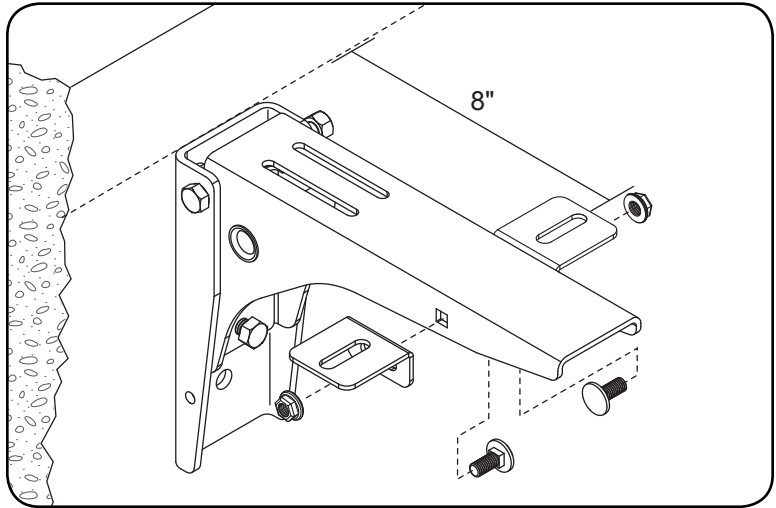


## Brackets with Lid Clips

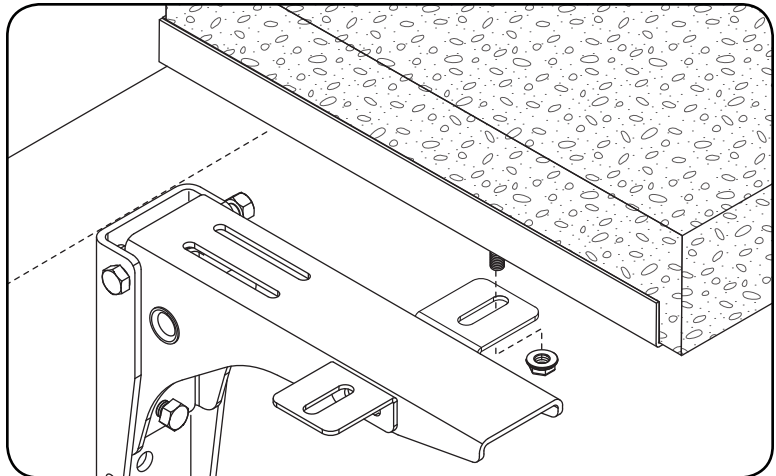
The adjustable bracket lid clips are designed to be used with a Vanishing Lid™ tray. Cover-Pools offers custom sized stainless steel trays (170022) or aluminum trays (170109).

- 1 Attach two bracket lid clips to the bracket with two 5/16 x 3/8" bolts and two 5/16-18 flange nuts.

Adjust the bracket lid clips to 8" from the center of the slot to the back of the box.



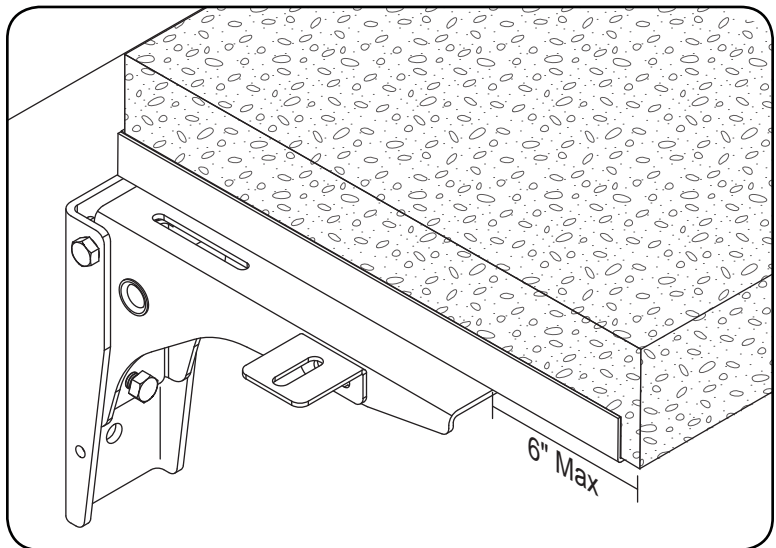
- 2 Set the Vanishing Lids in place on top of the Vanishing Lid brackets. Adjust them into position. The 5/16-18 studs on the Vanishing Lid tray will fit through the slot of the bracket lid clip. The edge of the Vanishing Lid should be centered on the top of the bracket.



- 3 Install all of the Vanishing Lids with 5/16-18 flange nuts on the tray studs finger tight. Make the final adjustment by shifting the lids if necessary. Tighten all the nuts on the tray studs and lid clips when final adjustments are complete.

**Warning!** This bracket system allows a maximum cantilever of 6" with a tray. Cantilevering without a tray is done at the builder's discretion and is intended for use in applications where the lids have sufficient strength and rigidity to meet uniform building code requirements for cantilevered flooring and/or local building codes. Cantilevered lids must be held securely to the lid brackets using lid clips, studs, adhesive plates, etc. to prevent tipping.

Cover-Pools technical service can only make recommendations based on previous experience. Final designs must pass all applicable codes and inspections.





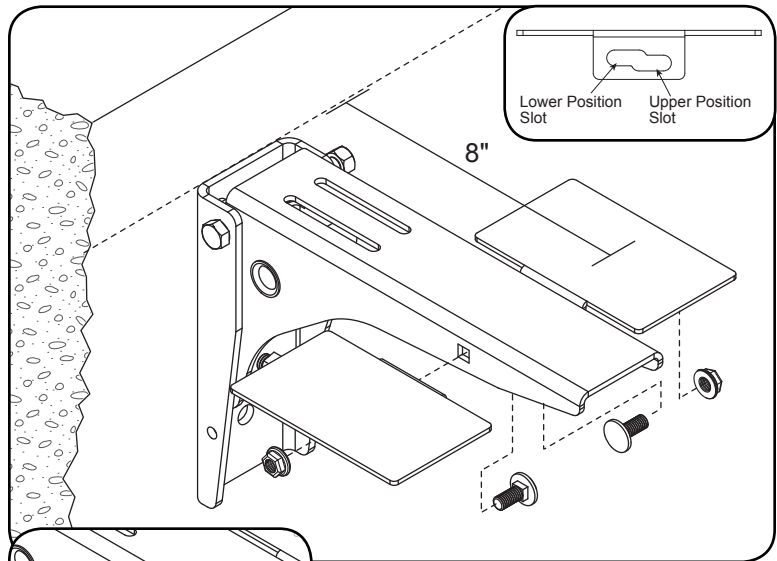
## Brackets with Optional Adhesive Plates

The adhesive plates are designed to be used without the Vanishing Lid™ tray. The no-tray method is intended for use in applications where the material has sufficient strength and rigidity to meet the uniform building code requirements for cantilevered flooring and/or local codes. Avoid porous, sedimentary, conglomerate, and similar materials (sandstone, slate, etc.). These types of material do not bond well. Consult your material supplier for adhesive recommendation.

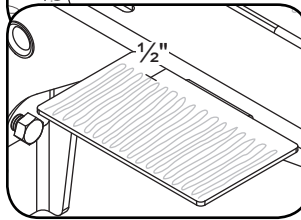
- 1 Attach two bracket adhesive plates to the bracket with two 5/16 x 3/8" bolts and two 5/16-18 flange nuts.

Adjust the bracket adhesive plates to 8" from the center of the plate to the back of the box.

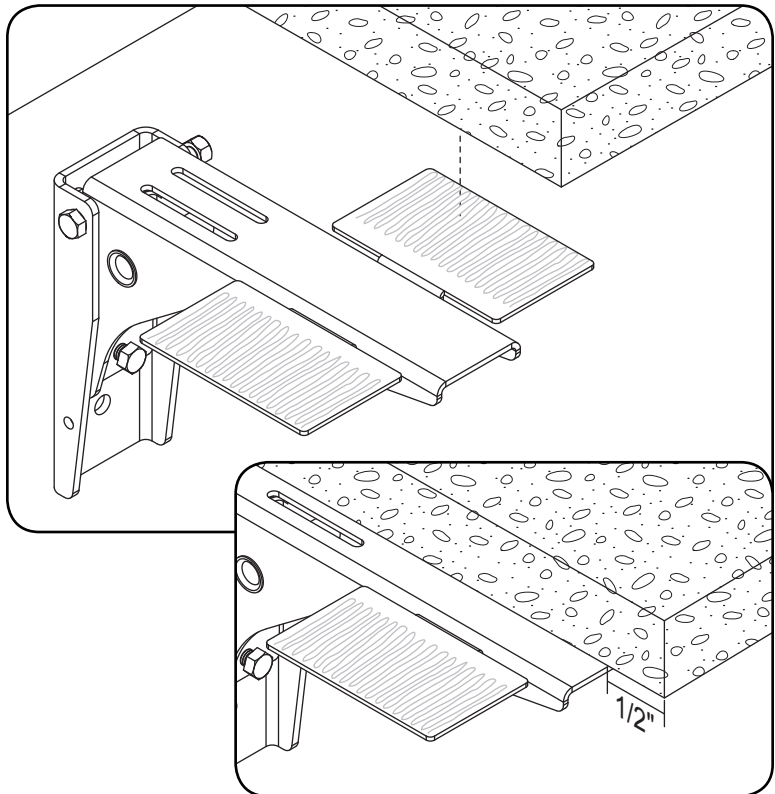
Position the bracket in the lower position if using extensions; position the bracket in the upper position if not using extensions.



- 2 Make sure that the pool is completely covered. Cover the surface of the bracket adhesive plate with a moderate (at least 1/16" thick) amount of adhesive. **Do not use adhesive within 1/2" of the inner edge of the adhesive plates.**



- 3 Set the slabs onto the bracket adhesive plate as soon as possible after applying the adhesive. Adjust the brackets into position. The edge of the slab should be centered on the top of the bracket. **Important:** Make sure that excess adhesive does not drip into the mechanism box or onto the pool cover.

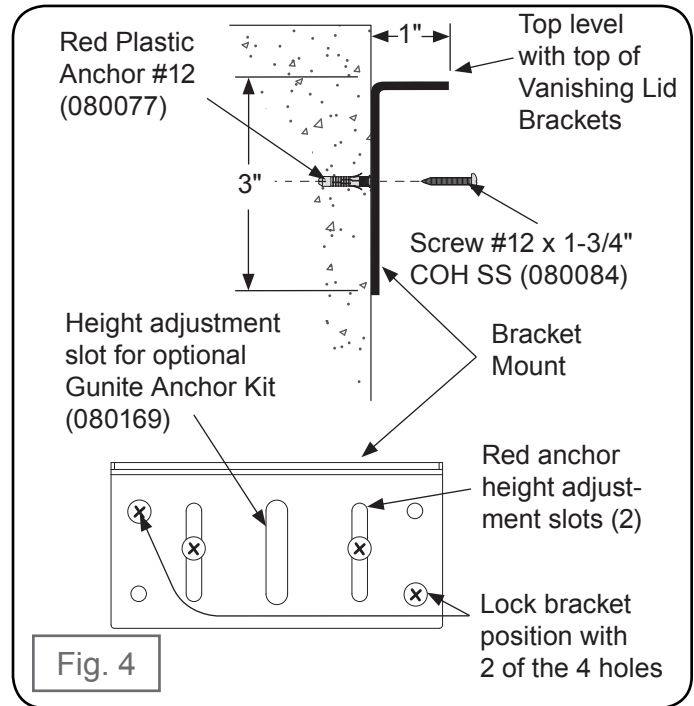
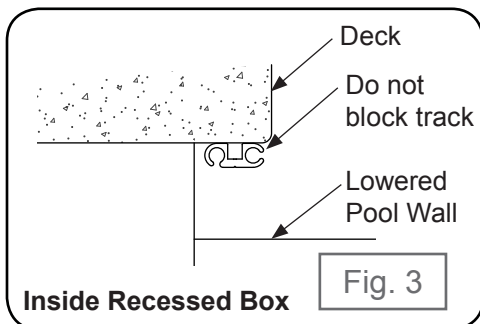
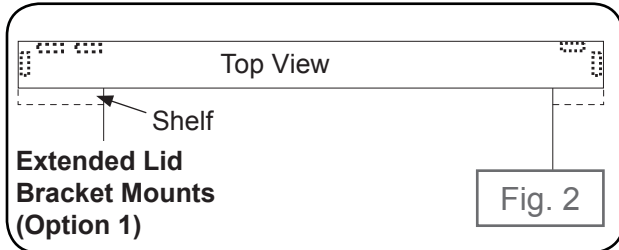
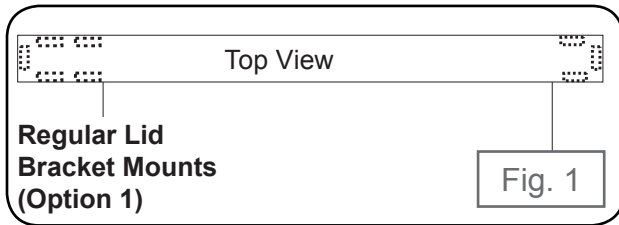


**Warning!** This bracket system allows a maximum cantilever of 6" with a tray. Cantilevering without a tray is done at the builder's discretion and is intended for use in applications where the lids have sufficient strength and rigidity to meet uniform building code requirements for cantilevered flooring and/or local building codes. Cantilevered lids must be held securely to the lid brackets using lid clips, studs, adhesive plates, etc. to prevent tipping.

**Cover-Pools technical service can only make recommendations based on previous experience. Final designs must pass all applicable codes and inspections.**

# Lid End Bracket Mount Installation

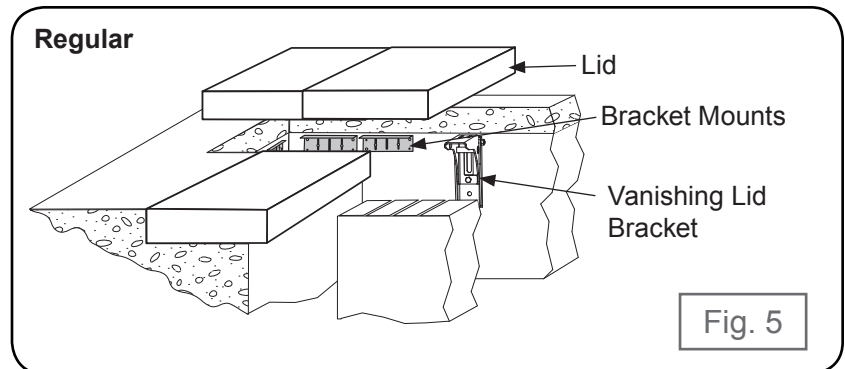
Install the bracket mounts to support the Vanishing Lid™ ends over both ends of the recessed housing (see Fig. 1, 2, and 7). The top of the bracket mount must be level with the top of the Vanishing Lid brackets (see Fig. 4).



## Lid Tray Support Option 1

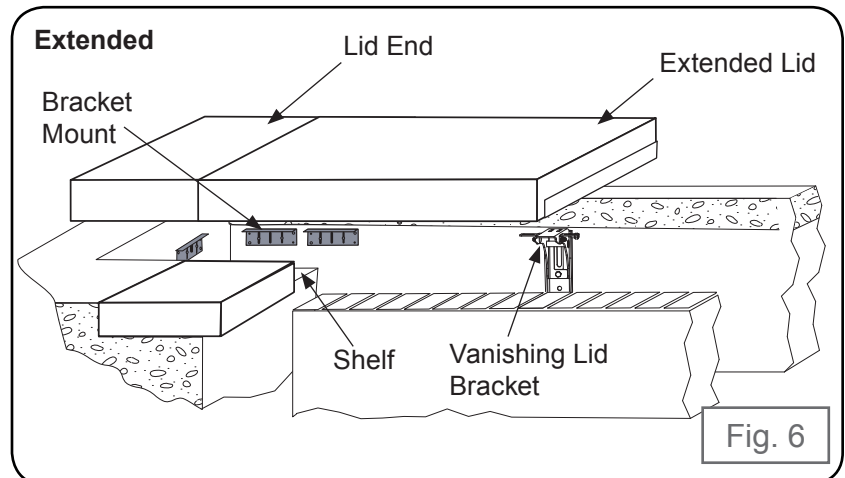
### • Regular Lid

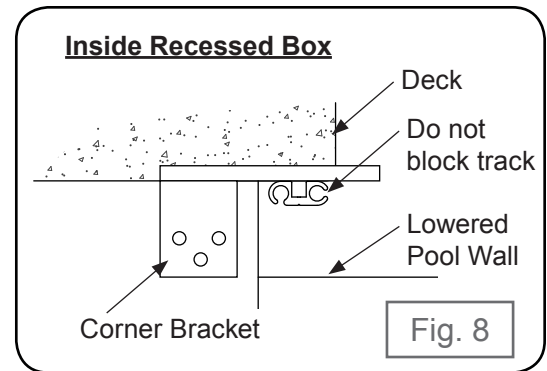
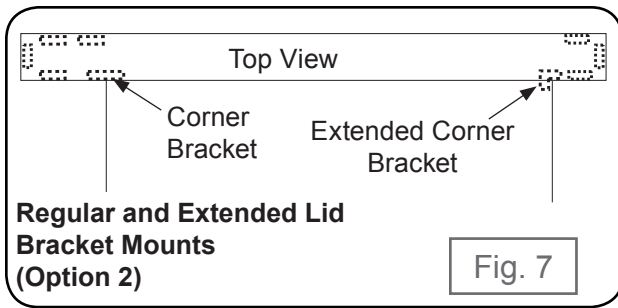
Use five bracket mounts and a Vanishing Lid bracket (see Fig. 1). Size the indicated lid so that the edges of the Vanishing Lid can rest on a bracket mount and a Vanishing Lid bracket (see Fig. 5).



### • Extended Lid

Use three bracket mounts and a Vanishing Lid bracket (see Fig. 2). When the Vanishing Lids are wider than the lid end tray (e.g. when hiding the leading edge), create a shelf on which the last extended lid can rest (see Fig. 6).

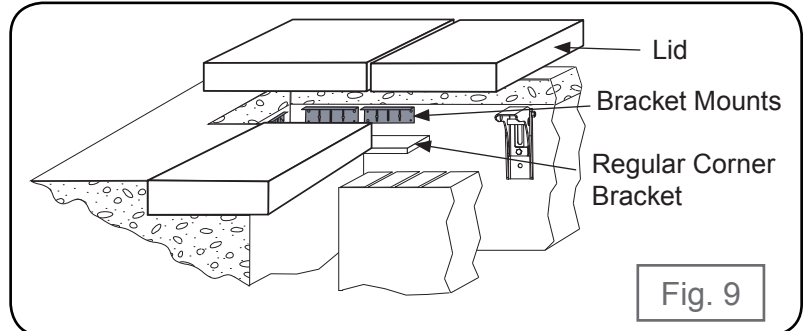




## Lid Support Option 2

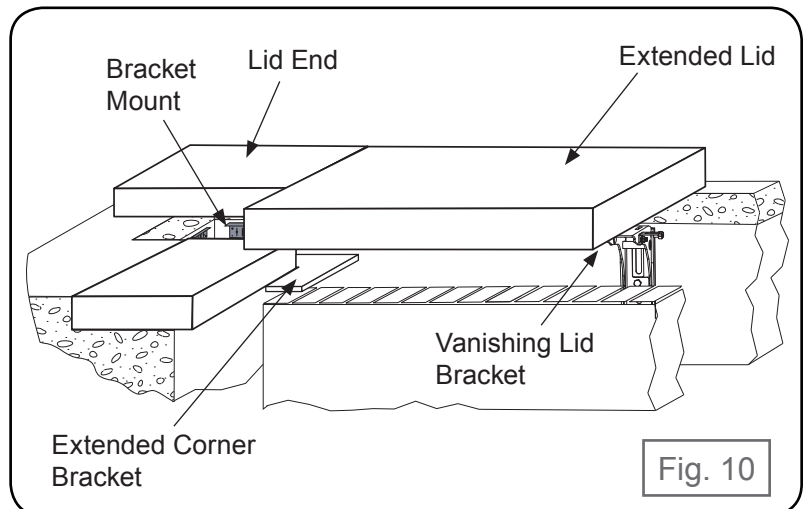
### • Regular Lid

Use four bracket mounts, a Vanishing Lid™ bracket, and a regular corner bracket (see Fig. 7). When the edge of the Vanishing Lids match the edge of the coping, rest the edge of the indicated Vanishing Lid on a bracket mount, a Vanishing Lid bracket, and a regular corner bracket (See Fig. 9).



### • Extended Lid

Use four bracket mounts, a Vanishing Lid bracket, and a corner bracket extended (see Fig. 7). When the Vanishing Lids are wider than the lid end, rest the edge of the indicated extended lid on a bracket mount, a Vanishing Lid bracket, and an extended corner bracket. (see Fig. 10).



- Do not cover the end of the track with the bracket.
- Mount the top of the corner bracket level with the top of the Vanishing Lid bracket.